



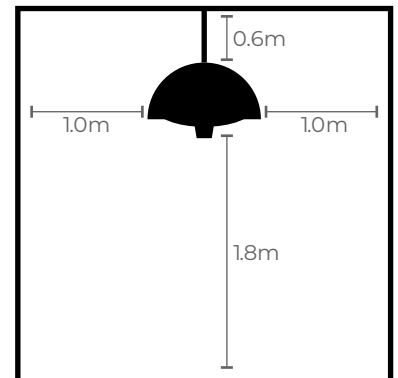
HEATZONE

PATIO HEATER



DIY Easy Installation	240V	1500W	2000W	IPX4	10 Amp
		20802	20803		

INSTALLATION SAFE DISTANCES



Brilliant's Heatzone Infrared Heaters provide superior close proximity outdoor heating and are suitable for a wide range of applications, including alfresco dining areas, patios, beer gardens, balconies, outdoor gaming rooms and sidewalk cafes.

The Heatzone heater produces infrared heat directly warming people and objects in its path rather than directly heating the air. No energy is wasted trying to heat the air that can blow away, as many conventional outdoor heating products do.

FEATURES

- Made from durable high grade anodised aluminium.
- Specifically designed for outdoor heating applications.
- Instant infrared heat element
- Ceiling mount, includes a 0.6m hanging chain and hook.
- IPX4 weatherproof rating ensures the heater can be exposed to some weather elements.
- DIY Installation, complete with 1.9m 10Amp flex & plug.
- Turn on via pull cord switch.
- 2 Year Replacement Warranty

MODEL NO.	WATTAGE (W)	CURRENT (AMPS)	WEIGHT (KG)	HEATING AREA (M ²)
20802/06	1500	6.3	2.5	3-4
20803/06	2000	8.3	3.5	4-5

