



40W SOLAR LED STREET LIGHT

Ultra Lumens-Designs 2018

Key Advantags

PROGRAMMABLE

Smart solar controller built-in, power brightness and lighting time are adjustable via remote controller.

MICROWAVE SENSOR

More area can be covered than PIR sensor, longer distance and wider sensitive angle, more stable than PIR.

EXTERNAL SOLAR PANEL

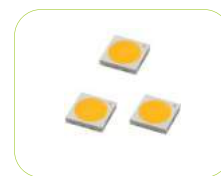
80W Solar panel seperated from light , Ensuring enough power can be generated even in bad winter time with weak sunshine. Never worry about black-out.

CONNECTION

MC4 male & female plugs directly to 18V solar panel. quick and easy for connection. 2.5mm² power cord for less voltage drop.

LONG LIFETIME BATTERY

Adopting super long time lithium battery, Free of maintainence



Remote
Setting



Microwave
Sensor



MC4 Plugs
Connection

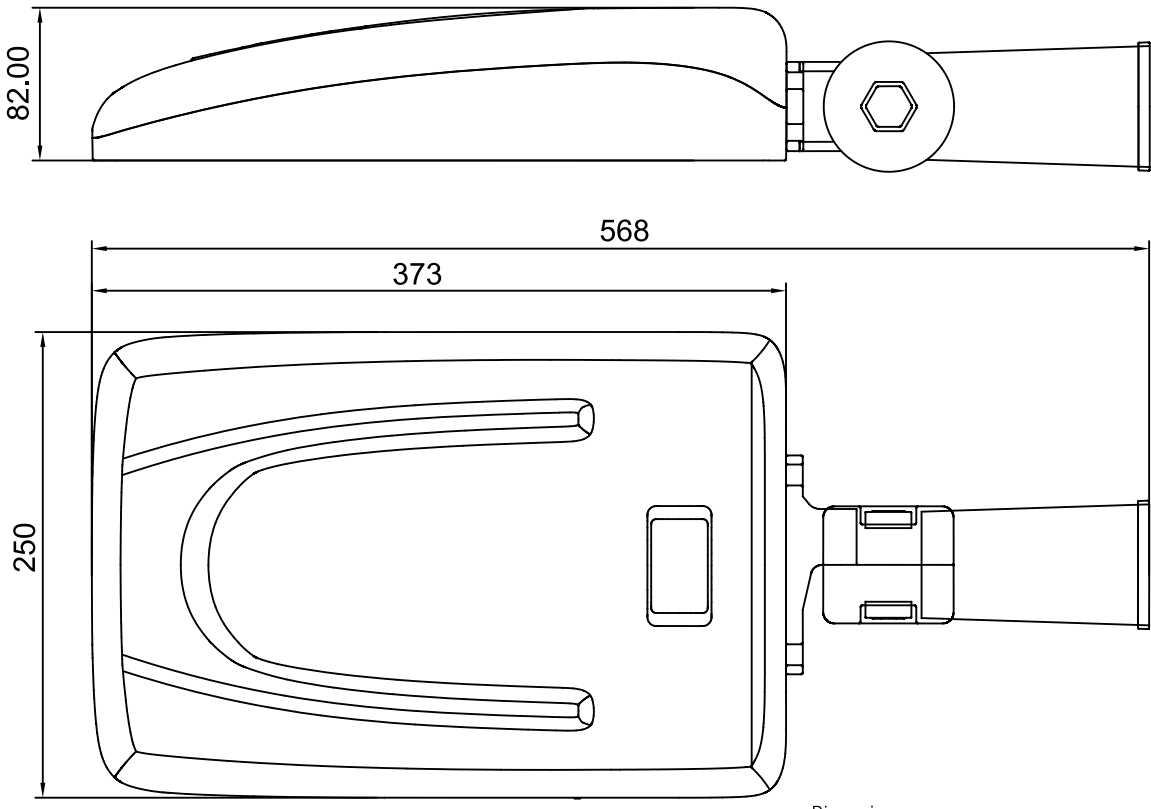


Lithium
Battery



12 Hrs/Day
130 LM/W

 Product Meas'

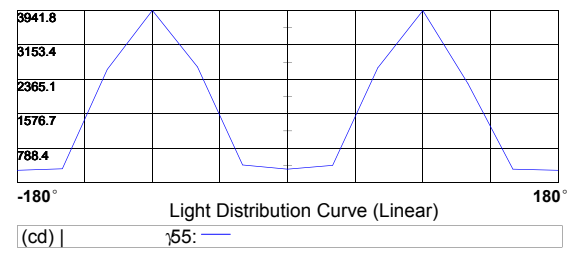
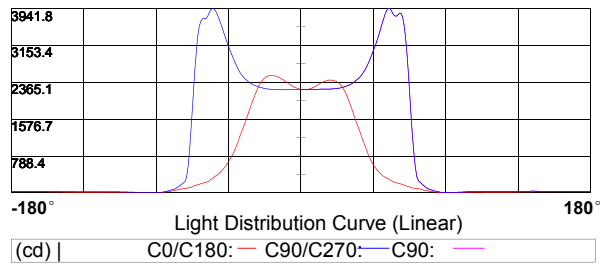
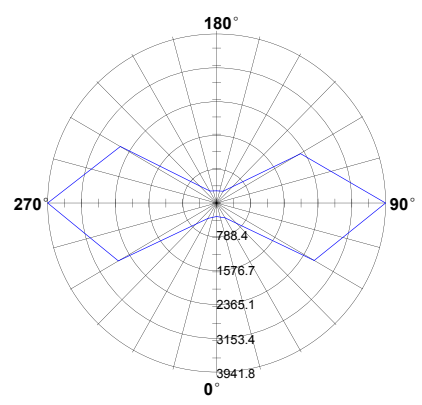
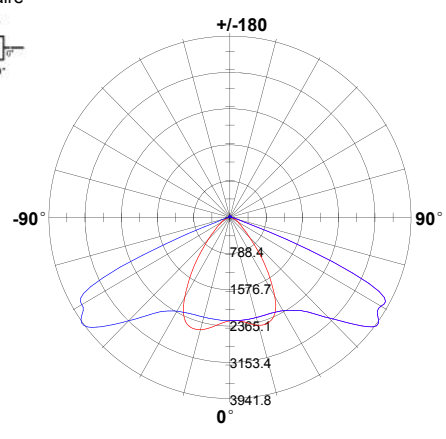
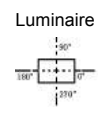


Dimension:

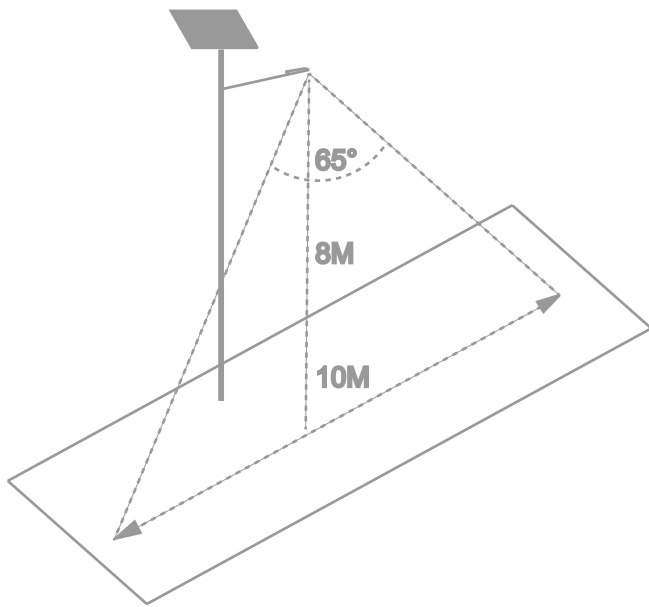
 IES Data

Light Distribution Curve [Unit: cd]

Max Plane Light Distribution Curve [Unit: cd]



Induction Sensor



Microwave (Radar) sensor is adopted in this light in order to save more energy. Energy saving mode is adjustable by the remote control easily. Radar sensor is more sensitive than PIR sensor in much wider angle and longer distance, And it can be triggered easily with slight movements. The best sensitive distance from people / object to light sensor should be within 12 meters.

PIR sensor is optional

Specification



Model Number	E-U40W
LED Power	40W
Beam angle	140*70Degree
Liminous flux	>5,200lm
CCT Temp.	4000K~6000K
CRI	>83
LED Type	Philips 72Pcs
IP Rating	IP67
Battery	
Power Capacity	488WH
Woring Temp.	-15 °C ~+65 °C
System Voltage	12V
Controller Type	Programmable MPPT IP65
Solar Panel	
PV Vol.	18VDC
PV Power	80W
PV Cell Type	MONO
Pole Height	6.0M



Bill Free



Green Energy



Bug Free



Rechargeable



Eco Friendly



Free Maintain



Integration

🔍 Detailed View



Lithium Battery Pack
High temperature resistant, up to 32000 cycles lifetime.
Smart BMS protection.



Philips SMD LED Source
More LEDs is used, driven with lower current, achieving more than 150lm/w.
High efficiency than normal solar lights.



MPPT Solar Controller
Higher charging efficiency than PWM controllers, Ensuring enough power generated for every night,



External Battery Box
Aluminium material, anti-UV & Oxidation
High performance.



Adjustable brackets
Marked with digitals, easy to adjust up/down when installation. Flexible for different projects condition

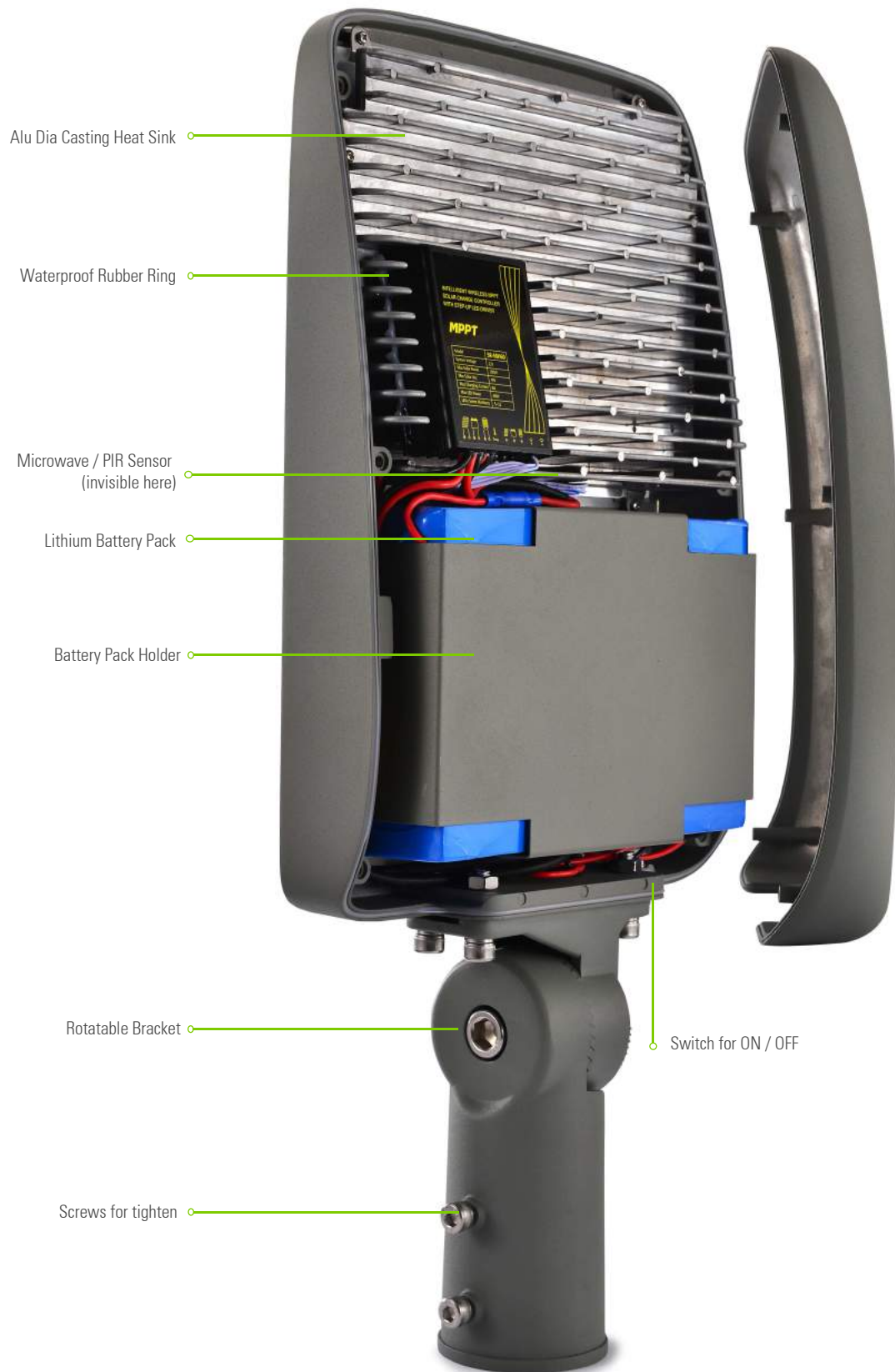


Microwave & PIR sensor
Two kinds of sensors are optional for different applications for different sensitive performance.





Inner View



Notice: Solar led flood light has same internal structure of solar led street light

Solar Panel



Module number	80P-36
Peak power / Pm(W)	80±5%
Open circuit voltage / Voc(V)	21.6
Max. power voltage / Vmp(V)	18.0
Max. power current / Imp(A)	4.44
Short circuit current / Isc(A)	4.80
Solar cells origin	Taiwan
Solar cells efficiency	over 19.0%
Grade of solar cells	A grade
Dimensions(L*W*T) / Weight(kgs)	760*670*30mm7.1kgs
Solar cell / Size of solar cells /solar cells arrangement	monocrystalline silicon /156*78mm/4*9, 36-cell in series
Front cover(material/thickness)	Low-iron tempered glass / 3.2mm
Encapsulation(material)	Ethylene Vinyl Acetate(EVA)
Solar backsheet(material/color)	TPT / White-color(black color is optional)
Frame(material/color)	Anodized aluminium alloy / Silver
Junction box protection degree	≥IP65
Cable /Cable connector Model	900mm solar cable with MC4 compatible connectors
Standard Testing Conditions	Irradiance:1000W/m2, Cell temperature:25°C, AM:1.5(air mass).
Max. static load, front(e. g.: snow/wind)	5400Pa
Max. static load, back(e. g.: wind)	2400Pa
Max. hailstone impact (diameter/velocity)	25mm; 23m/s
Max. series fuse rating (A)	2pcs of 10A by-pass diodes.
Max. system voltage (V)	1000V DC
Application Class	Class A
Operating temperature range	-40°C- +85°C
NOCT	45±2°C
Power temperature coefficient	-0.43%/°C
Current temperature coefficient	0.08%/°C
Voltage temperature coefficient	-0.37%/°C
Lifespan	25 years
Warranty	Power output warranty: 10 years over 90%, 25 years over 80%;
Product Certifications / Standards	CE, IEC61215
Other Certifications	ISO9001:2008, RoHS

