

# User Manual (WIFI Smart Socket)



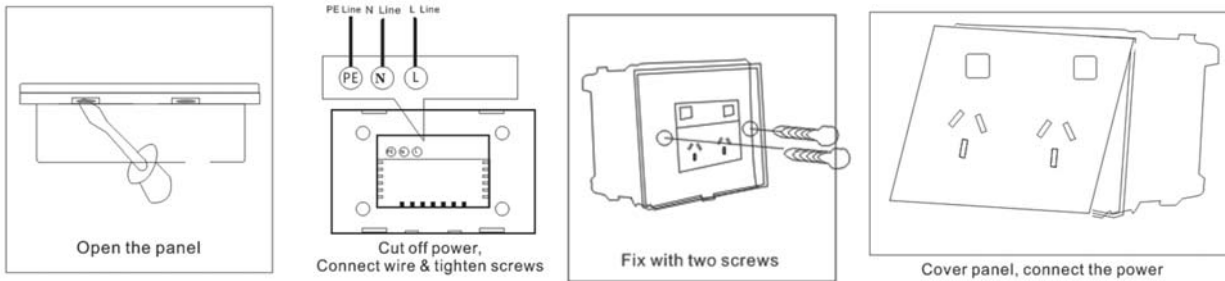
Please read the instructions carefully before installation. The manufacturers will not be responsible for any failure

operations not follow the instructions.

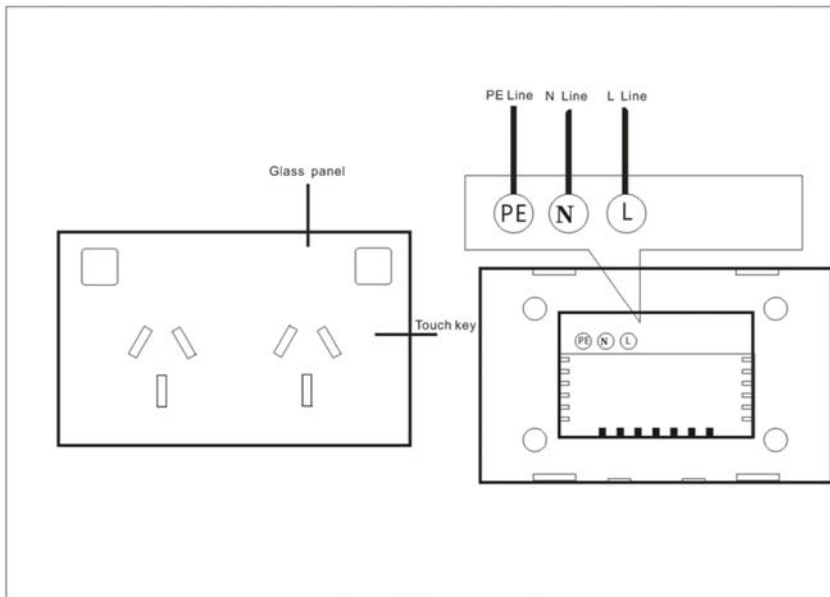
## Special attentions:

- 1- Don't install with power.
- 2- Strictly in accordance with the product wiring diagram.
- 3- Don't work over load.

## I. Installation Steps:



## II. Wiring Diagram:



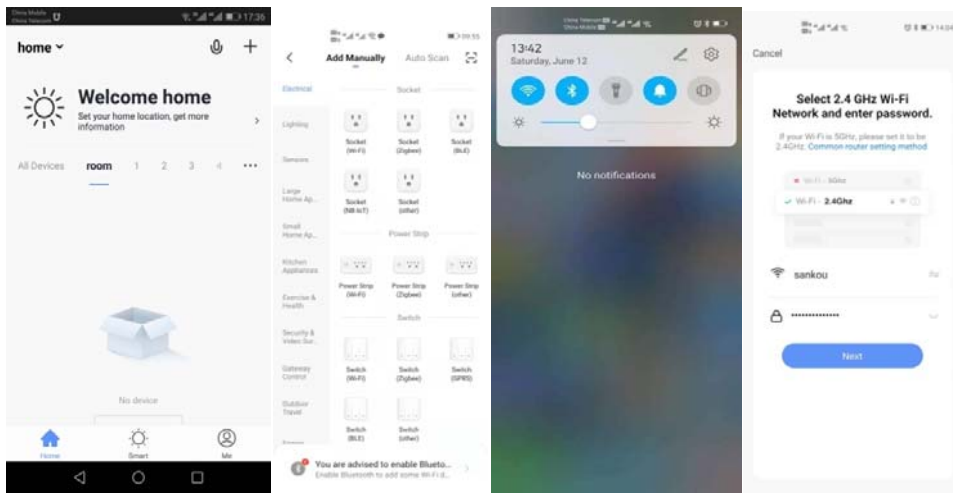
## III. Program APP to control the WIFI Switch:

- 1- Scan the QR code, download the APP.

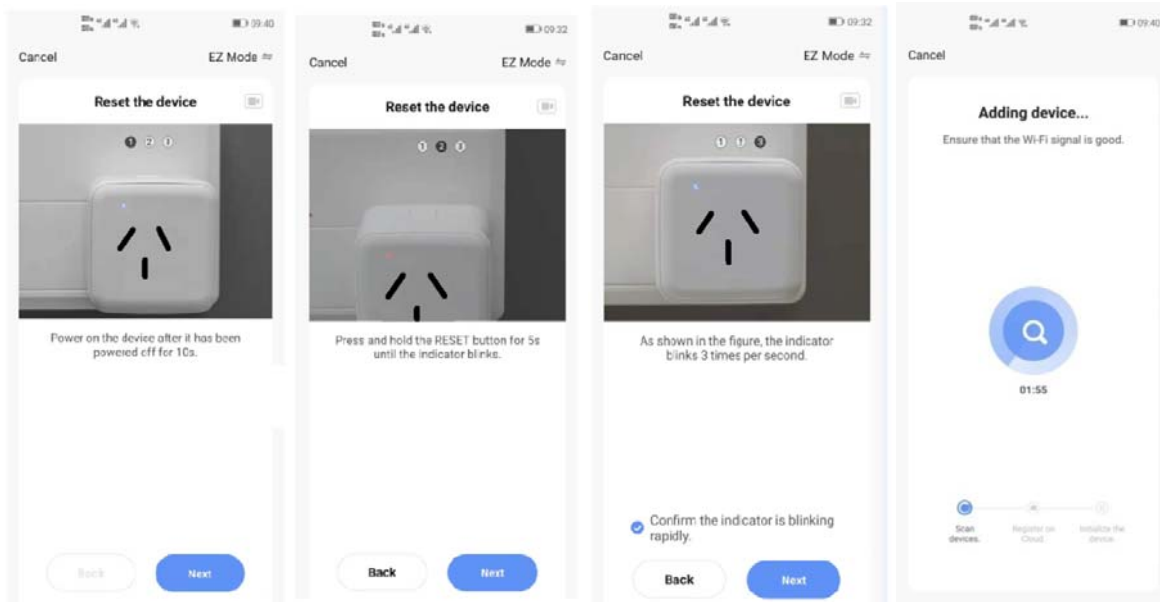


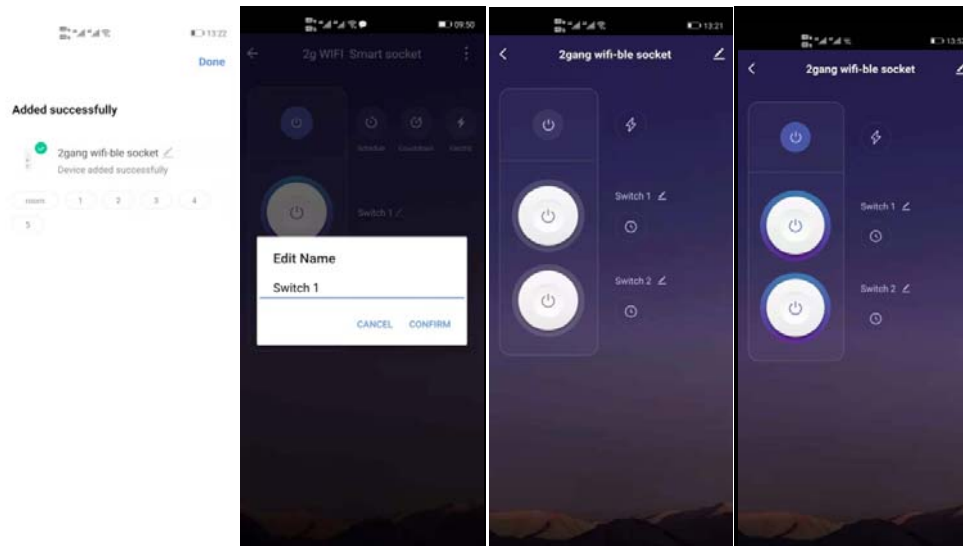
## 2- Pairing:

- (1) Press the touch button and hold for about 3 seconds until the WiFi LED blinks fast.
- (2) Click the '+' button on APP. Click next step, then 'Wi-Fi network' then enter the router password;



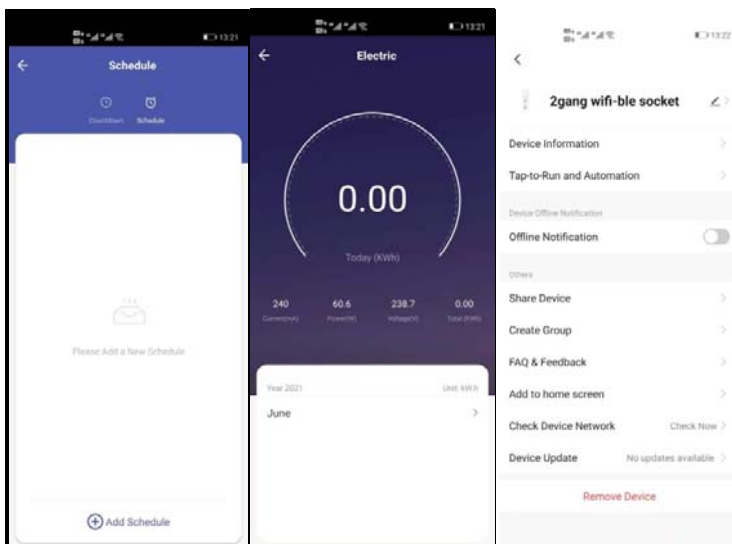
## 3- State show and setting scheduled





Connect successful                      State: show one socket on                      socket settings

4- Equipment management: Click the '+' button on APP, equipment delete or setting.



5- APP Display Description:

- (1) Blue back light: The device is ON.
- (2) Gray back light: The device is OFF.



Working state

Off state

6- Questions: My device on the app stays "Off line"?

Answer: The new added device needs 1min to connect to WiFi and the Internet. If it stays off line for a long time, please judge the problem by the WiFi LED status:

WiFi LED quickly blinks one time every second, device failed to connect to your WiFi:

- (1) Maybe you have entered wrong WiFi password.
- (2) Device is too far away from your WiFi. Please take it closer.
- (3) Device can not be added to the 5G-wifi-router, only the 2.4G-wifi is ok.
- (4) Make sure your router is MAC-open.

If still failed, try to open a mobile hot spot and add again.

WiFi LED quickly blinks twice every second: Device has connected to WiFi but failed to connect to server. Please check your network connectivity.

### III. How to pair the remote of the on/off only 1way remote switch

- 1- Press the touch button and hold until you hear one 'Beep'
- 2- Press the remote key that you want to pair and you will hear another 'beep'
- 3- Press the touch button three times, each time will lead to a 'Beep'.

**Note:** For multi gang switches, each button on the switch needs to be paired by repeating the above steps.

### IV. How to clear the setting.

- 1- Press the touch button and hold, until you hear continuous four 'Beep', done!

**Note:** Please note that for multi gang switches only needs once clearing.

### VIII. Specification:

- 1- Rated Voltage: AC110V/AC240V
- 2- Rated Frequency: 60HZ /50HZ
- 3- Self Power Consuming:  $\leq 0.65\text{mA}$
- 4- Rated Power: 10A/16A
- 5- Dimension: 118mm\*72mm\*34mm.