

# Specification

Customer: \_\_\_\_\_

Name: LED Power Supply

Model: VHO-020-012M2

VHO-020-024M2

## Customer Approval

Examination	Review	Approve

## Manufacture Approval

Drafting	Review	Approve



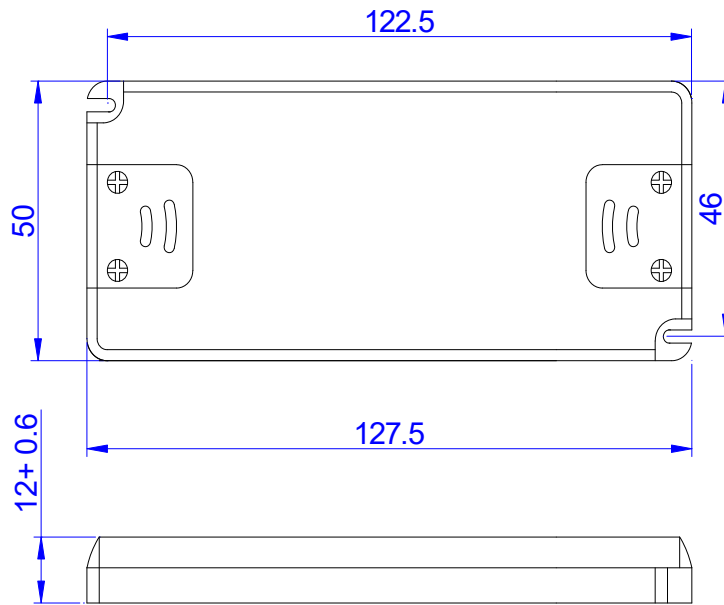
## ■ Features

- IP20 ultra slim design
- Terminal block design, flexible wiring
- Short circuit, over current and over load protection
- Suitable for LED Strip Light, LED Mirror Light, LED Furniture Light applications

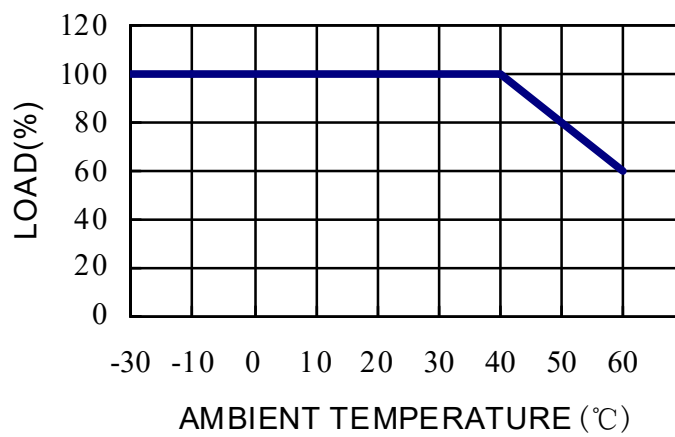
## ■ SPECIFICATION

Model		VHO-020-012M2	VHO-020-024M2
OUTPUT	DC VOLTAGE	12VDC	24VDC
	CURRENT RANGE	0-1.67A	0-0.83A
	RATED CURRENT	1.67A	0.83A
	RATED POWER	20W	
	RIPPLE&NOISE(max)	500mV	500mV
	VOLTAGE TOLERANCE	±0.5V	±0.5V
	LINE REGULATION	0.5%	0.5%
	LOAD REGULATION	2%	1%
	SETUP TIME	<500ms/230VAC	
INPUT	VOLTAGE RANGE	170-265VAC	
	FREQUENCY RANGE	50/60Hz	
	EFFICIENCY(Typ.)	81%	82%
	INRUSH CURRENT(max.)	70A/230Vac	
	AC CURRENT(Typ.)	0.18A /230VAC	0.18A /230VAC
PROTECTION	OVER CURRENT	2.8A	1.2A
	SHORT CIRCUIT	Protection type: Hiccup mode, recovers automatically after condition is removed	
ENVIRONMENT	WORKING TEMP.	-10~+40°C (Refer to output load derating curve)	
	WORKING HUMIDITY	20 ~ 95% RH non-condensing	
	STORAGE TEMP., HUMIDITY	-40 ~ +80 , 10 ~ 95% RH	
SAFETY	SAFETY STANDARDS	CE,SAA	
	WITHSTAND VOLTAGE	I/P-O/P:3.75KVAC	
	ISOLATION RESISTANCE	I/P-O/P, I/P-FG, O/P-FG:100M Ohms / 500VDC / 25 / 70% RH	
OTHERS	DIMENSION	127.5*50*12mm (L*W*H)	
	PACKING	0.064Kg; 100pcs/7.8Kg/ 324*214*188mm(L*W*H)	
NOTE	<p>1. All parameters NOT specially mentioned are measured at 230VAC input, rated load and 25°C of ambient temperature.</p> <p>2. Ripple&amp;noise are measured at 20MHz of bandwidth by using a 12" twisted pair-wire terminated with a 0.1uf&amp;47uf parallel capacitor.</p> <p>3. Length of set up time is measured at cold first start.</p>		

## ■ Mechanical Specification



## ■ Derating Curve



## ■ Static Characteristics

