



# PRESTON 48in HUGGER DC CEILING FAN & LIGHT



Remote control  
Included



A low-profile design, with clean, modern look makes the Preston an ideal ceiling fan for homes & apartments with lower ceiling heights. Featuring a powerful DC motor paired with an aerodynamic blade design, this hugger style fan can provide comfortable and effective airflow all year round.

- High strength, corrosion proof and easy clean ABS blades
- The Windbreeze mode varies the fan speed to simulate a natural breeze effect.
- 6 speed remote control with timer included.
- Reversible All-Seasons technology for use all year round
- Powerful 30W DC motor
- 20W dimmable & tri-colour temperature adjustable light kit
- Easily change colour temperature (CCT) from warm white 3000K, cool white 4000K to natural white 5700K.
- Uses Brilliant's Quick Connect Plug System to reduce install time

## APPLICATIONS

- Ideal for lower ceilings
- Bedrooms, lounge and family rooms
- Indoors or enclosed alfresco areas not exposed to the weather



MATT WHITE



MATT BLACK



# PRESTON 48in HUGGER DC CEILING FAN & LIGHT

## TECHNICAL SPECIFICATIONS

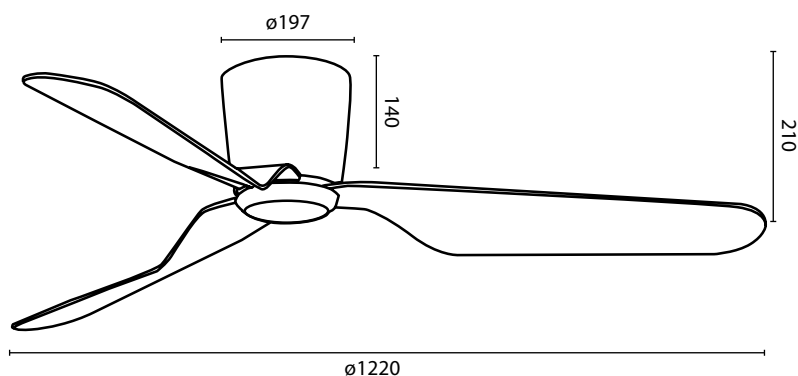
|                        |  |
|------------------------|--|
| Size                   | 48 inch (1220mm)   |
| Motor Type             | DC (Direct Current)  |
| Operating Voltage      | 220-240V / 50Hz  |
| Motor Wattage          | 30W  |
| Construction           | Metal body   |
| Blade Material         | Moulded ABS (x3)   |
| Ceiling install        | Flat mount only  |
| Blade Pitch            | 20 degrees   |
| Ceiling Rake           | Flat mount only  |
| Light Wattage:         | 20W  |
| Lumens:                | 1250lm (3000K); 1400lm (4000K); 1400lm (5700K)   |
| Dimmable:              | Yes  |
| Other models available | 22087: 48-inch without light   |
| Control                | Remote 6-speed with reverse and windbreeze functions   |
| Warranty               | 3 year in-home plus 3 year replacement (6-Year)<br>*Limited warranty for wall controller, remote controller and light. Refer to warranty card inside the box for more details. |

## INSTALLATION

Must be installed by a licensed electrician

## AIR MOVEMENT

| SPEED   | 1                     | 2                     | 3                     | 4                     | 5                     | 6                      |
|---------|-----------------------|-----------------------|-----------------------|-----------------------|-----------------------|------------------------|
| RPM     | 100                   | 120                   | 140                   | 160                   | 180                   | 200                    |
| Power   | 4W                    | 6W                    | 9W                    | 12W                   | 19W                   | 30W                    |
| Airflow | 4200m <sup>3</sup> /h | 5300m <sup>3</sup> /h | 6400m <sup>3</sup> /h | 7500m <sup>3</sup> /h | 8600m <sup>3</sup> /h | 10100m <sup>3</sup> /h |



|            | MODEL    | COLOUR     | DESCRIPTION                   | BOX SIZE              | GROSS WEIGHT | BOX QTY | BARCODE/TUN |
|------------|----------|------------|-------------------------------|-----------------------|--------------|---------|-------------|
| RETAIL BOX | 22089/05 | Matt White | Preston-48 Hugger Fan & Light | W717 x H305 x D282 mm | 5.2 kg       | 1 pc    |             |
| RETAIL BOX | 22089/06 | Matt Black | Preston-48 Hugger Fan & Light | W717 x H305 x D282 mm | 5.2 kg       | 1 pc    |             |