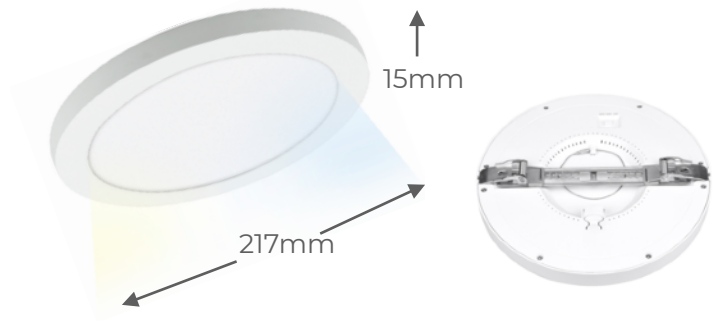


18W LED PANEL LIGHT GH-P18SE CCT



KEY INFORMATION

LUMEN OUTPUT	1620 Lumens
INPUT POWER	18W
HOLE CUTOUT SIZE	Adjustable from 55-175mm
INSTALL	Surface Mount or Recessed with clips
DIMMING OPTIONS	Non-Dimmable
TRIM COLOUR	White
WARRANTY	3 Years
IP RATING	IP20 Indoors
FLICKER FREE	Yes

PHOTOMETRIC

EFFICACY	Up to 90 Lms/W
LUMEN OUTPUT COLOUR	Natural White 4000k or Bright White 5000k or Cool white 6500k - selectable by switch
CRI	>80
BEAM ANGLE	110°

ELECTRICAL

DRIVER	Internal
SUPPLY INPUT	AC200-240V, 50-60Hz
POWER FACTOR	>0.9
LIFESPAN	30000Hrs

CONSTRUCTION

MATERIAL CONSTRUCTION	Thermal plastic frame, PMMA, LGP, Aluminium heatsink
SHADE/HOUSING	Matte White with frosted PC Lens
LOW HEAT OUTPUT	Yes
TOTAL WEIGHT	0.5kg per piece
DIMENSIONS	ø217x15mm
CERTIFICATION	CE RCM SAA Plug

DESCRIPTION:

18W CEILING LIGHT - Oyster Light Replacement. Unique, very versatile ceiling light with three popular and practical colour output options which are selected by switch on the back of the light: Natural (4000k), Bright (5000k) or Cool (6500k). Non-dimmable and no flicker. High CRI, high lumen output with good heat dissipation and no UV.

FEATURES:

- Ultra slim, low profile
- Surface mounted or recessed with clips
- Adjustable fitting, hole size from 55-175mm
- Built in driver, cord and plug
- Flicker-free
- High power factor >0.9
- Comes standard with cover.
- 3 Year Warranty

SUITABLE FOR:

Domestic or commercial applications. Can replace various downlights and Oyster fittings.