

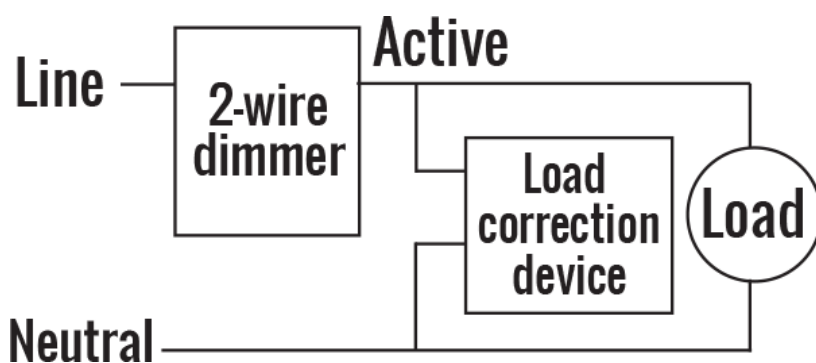
## GH-LCD LOAD CORRECTION DEVICES

### KEY INFORMATION

VOLTAGE	220-240V AC 50Hz
APPLICATION	Indoor Use only
WARRANTY	2 Years
CERTIFICATION	CE, RCM



GH-LCD 01



### DESCRIPTION:

To reduce flicker, improve dimming, turn off residual lighting, add stability and full function to SMART lighting with electronic switches.

### FEATURES:

Provides improved dimming with numerous dimmers (No neutral), Crystal touch switch, CLIPSAL, HPM, and others that use phase-controlled dimming.

Provides a positive OFF-state for electronic single wire switches, making it suitable for SMART lighting. 2 Year warranty

### SUITABLE FOR:

Clipsal C-Bus with LEDs  
Single wire dimmer switches  
Low Load LED lights that do not switch off or have residual light  
Interference on circuits from devices such as fans. NEW GH-LCD 12 needs no extra wiring, plug directly into circuit. Saves time, prevents expensive installation costs and can be used to diagnose problems and solutions quickly and inexpensively.