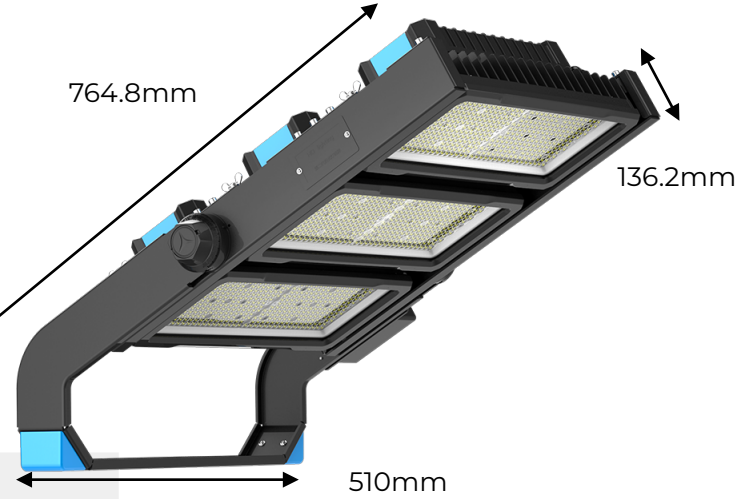


GH-F900
900W SPORTS/FLOOD LIGHT



KEY INFORMATION

LUMEN OUTPUT	130LM/W 117,000 Lumens
INPUT POWER	900W
REPLACES	Metal Halides
HOLE CUTOUT SIZE	N/A
INSTALL	Pole Mounted
DIMMING OPTIONS	Non-dimmable
TRIM COLOUR	Black
WARRANTY	5 Years
IP RATING	IP66
FLICKER FREE	Yes

PHOTOMETRIC

EFFICACY	92%
LUMEN OUTPUT COLOUR	5700k
CRI	>70
BEAM ANGLE	150°x60° Asymmetrical Lens

ELECTRICAL

DRIVER	Internal
SUPPLY INPUT	AC 100-277V / 50Hz
POWER FACTOR	0.95
LIFESPAN	50 000Hrs

CONSTRUCTION

MATERIAL CONSTRUCTION	Diecast Aluminium
SHADE/HOUSING	Black with clear PC Lens
LED TYPE	Samsung
MERCURY	No Mercury
TOTAL WEIGHT	28KG
DIMENSIONS	764.8x510x136.2mm
PACKED DIMENSIONS	822x617x211mm per piece
CERTIFICATION	SAA, RCM

DESCRIPTION:

Superior, strong, bright Flood/Sports Light with high lumens/watt, excellent efficiencies and long lifespan.

With an asymmetrical lens which allows you to spread the right level of illumination over a more precisely targeted area.

Area lighting creates a uniform lighting environment. Recommended for stadiums, shopping centres, schools, swimming pools, exhibition centres, parking areas, sports arenas, public areas and other large outdoor commercial or industrial lighting spaces.

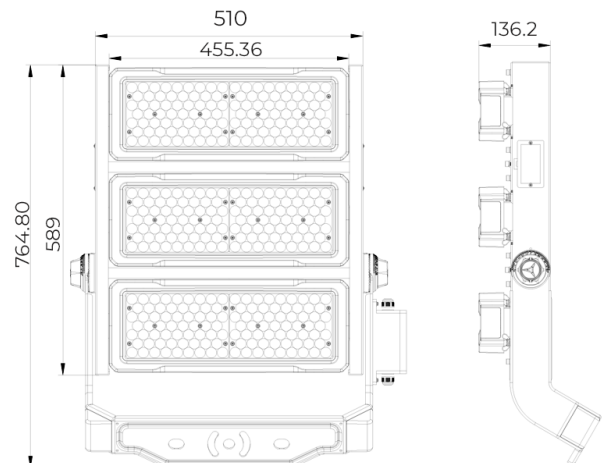
Cost-effective lighting solution for sports venues of all sizes.

FEATURES:

- Suitable for multiple installations
- IP66 Waterproof
- Meanwell driver and Samsung LEDs
- High Lumens 130Lms/watt
- High CRI (colour quality)
- Frequency Free
- Very long lifespan 50 000 hrs

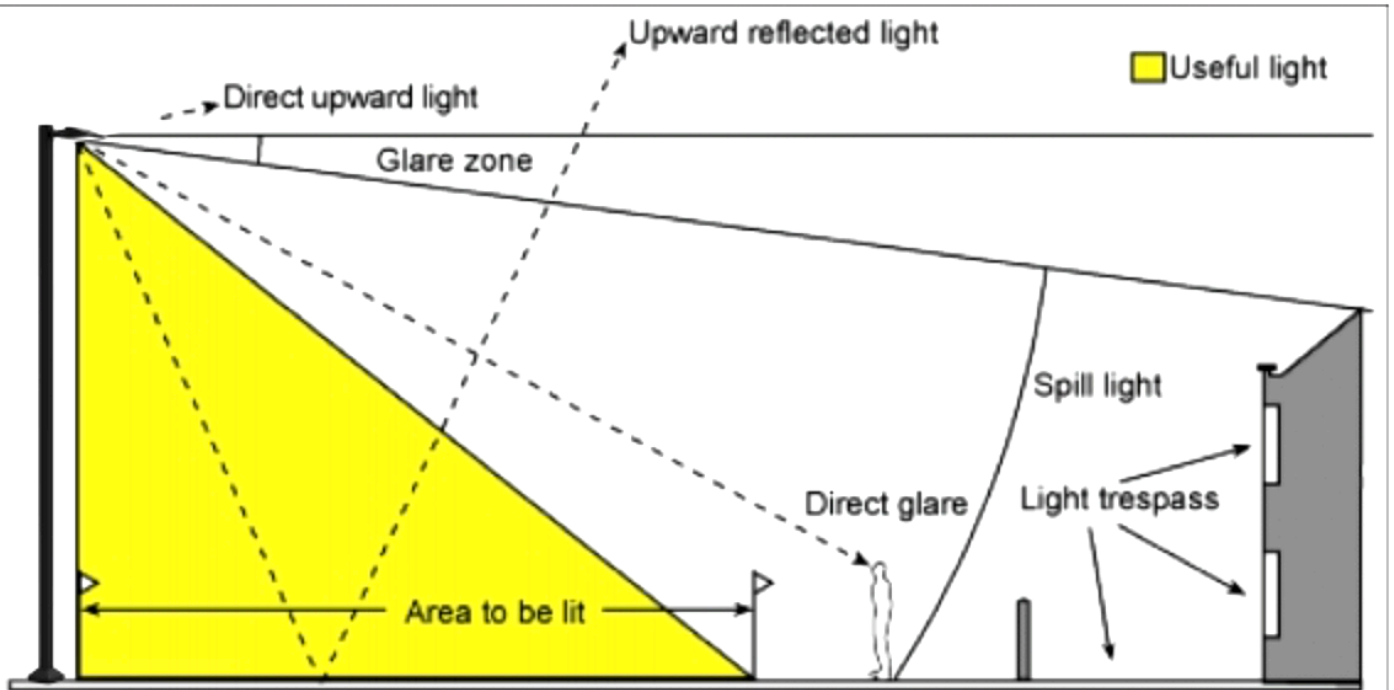
SUITABLE FOR:

Special Asymmetrical lens provides high efficiency with less glare and less spill light.



Flat design

- Reduces spill light and glare
- Zero uplight
- No wasted light
- LEDiL lens for excellent light control



Light pollution is often caused by the way light is emitted from lighting equipment. Choosing proper equipment and carefully mounting and aiming it can make a significant difference.

