



SMART WiFi BOXER OUTDOOR SENSOR



Detect motion
around your
property



Advanced PIR motion detection identifies changes in movement to activate lighting. Change the settings from anywhere via app or voice control or manually.

- Multi-segmented optical lens for better movement detection.
- 3-wire design for greater reliability.
- Easy to mount on walls, eaves or ceiling.
- On/Off button (manual override) in the App.
- Heavy duty switching circuitry suitable for large loads (2000W Incandescent lamp; 600W Fluorescent lamp; 300W LED lamp).
- Light and motion sensitivity controlled in app so adjustments can be made at anytime.
- Range: 110° x 18m.
- Light controlled by app: Auto – Override – Test.
- Power consumption: 0.7W.
- IP66 weather-resistant for outdoor installation.
- Compatible with BrilliantSmart devices via automation & IFTTT.
- Works with other BrilliantSmart devices via automation

APPLICATIONS

- Detect motion in and around your property
- Create in app automation, to work with other BrilliantSmart products based on certain behaviours, ie: when movement is detected via a sensor, turn on BrilliantSmart lights, when there is no motion the lights turn off.





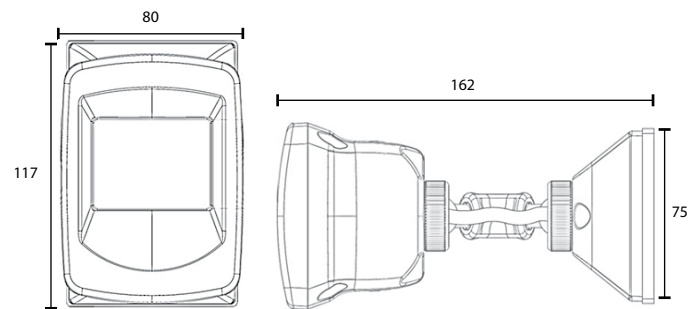
SMART WiFi BOXER OUTDOOR SENSOR




TECHNICAL SPECIFICATIONS

Operating voltage:	240V / 50Hz
Class:	Class II
Power consumption:	0.7W
Maximum Load:	2000W Incandescent 600W Fluorescent 300W LED
Motion detection:	Advanced PIR motion sensing
PIR range:	18m x 110 degrees
PIR sensitivity:	Low - Med - High (In app only)
Lux sensitivity:	Dark - Dusk - Daylight (In app only)
Light operation:	Auto - Override - Test (In app only)
Time setting:	10 sec - 10min (In app only)
Manual Override:	Yes, via app
Construction:	UV resistant Polycarbonate
Ingress protection:	IP66 rated (Indoor & outdoor use)
Installation height:	1.8 - 2.5m from ground
Operating temperature:	+5 °C to 35 °C
Warranty:	2 year replacement
WiFi Info:	IEEE802.11b/g/n, 2.4GHz Mac Encryption; WEP/WAPI/TKIP/AES
Device Requirements:	iOS 8.0 or higher, Android 4.1 or higher
Standards:	AS/NZS 60669.2.1

INSTALLATION

Must be installed by a licensed electrician



	MODEL	COLOUR	DESCRIPTION	BOX SIZE	GROSS WEIGHT	BOX QTY	BARCODE/TUN
RETAIL BOX	20707/06	Black	Smart WiFi Boxer Outdoor Sensor	W120 x H169 x D84 mm	0.27 kg	1 pc	 9 312641 207078 >
INNER CTN	20707/06	Black	Smart WiFi Boxer Outdoor Sensor	W258 x H185 x D435 mm	2.65 kg	10 pc	 19312641207075
OUTER CTN	20700/06	Black	Smart WiFi Escort Security Floodlight	W465 x H395 x D548 mm	10.6 kg	40 pc	 29312641207072