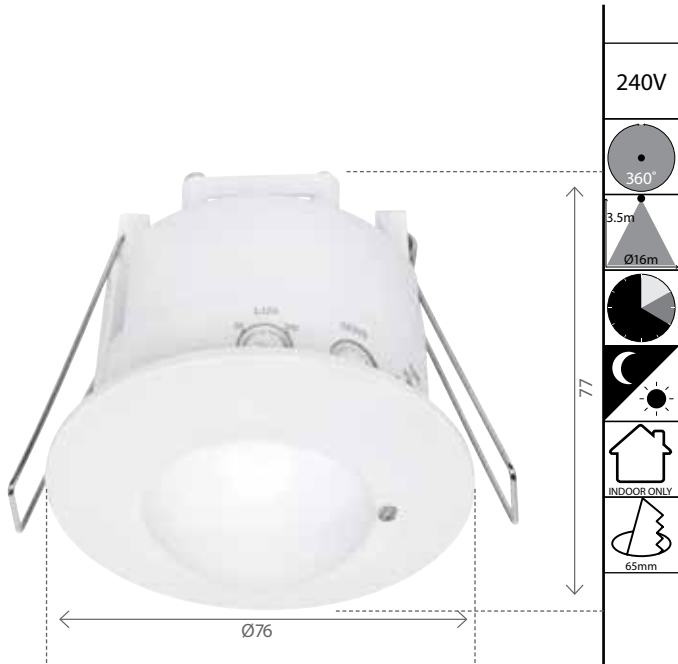




EYE 360° MICROWAVE

360° RECESSED MICROWAVE SECURITY SENSOR



Automatically activated by motion and light level.
 Ceiling recessed mount.
 Wide detection area, up to 16m in diameter.
 Motion can be detected through plastic, glass and thin non-metal materials.
 Adjustable time, lux level and detection area.
 Reliable 3-wire design.

Indoor use only.
 HF system : 5.8GHz
 Installation height : 1.5-3.5m
 Lux control level : 3-2000LUX (adjustable)
 Max Load : 1200W Incandescent Lamp
 300W Fluorscent Lamp
 150W LED Lamp

2 Year Warranty.



Product	Code	Colours
Sensor	20051/..	05 WHITE